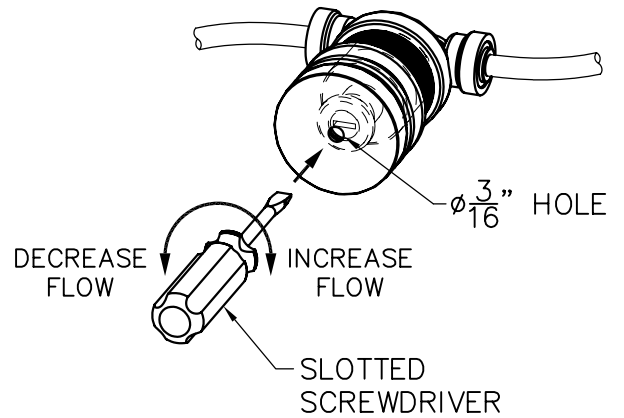


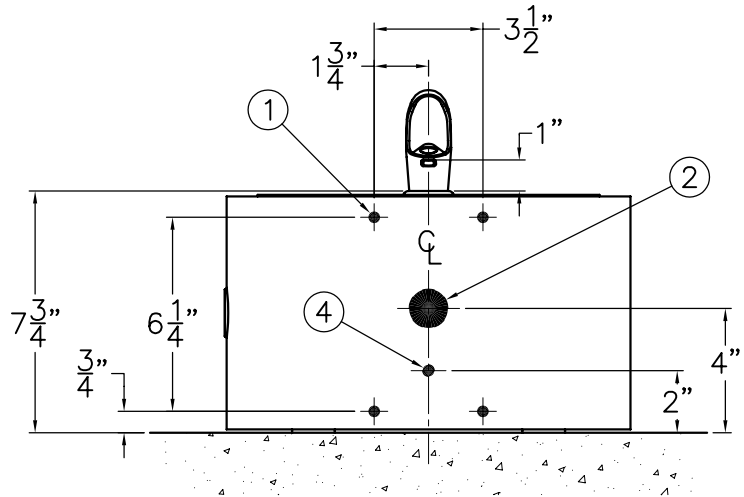
**NOTE:**

UNIT IS SHOWN WITH STANDARD PUSHBUTTON AND VALVE ASSEMBLY. REFERENCE DRAWING # 9938-340-001 FOR THE INSTALLATION WITH OPTIONAL -FRU1 UNDERGROUND FREEZE RESISTANT VALVE.

**DETAIL A  
FLOW ADJUSTMENT**



**FRONT ROUGH-IN VIEW**



**INSTALLATION INSTRUCTIONS:**

- A- PROVIDE WALL REINFORCEMENT AND ANCHORS OR PEDESTAL PENETRATIONS BEHIND THE FOUR  $\frac{3}{8}$ " DIAMETER MOUNTING HOLES (1) AT THE DIMENSIONS SHOWN.
- B- ROUGH-IN WASTE OUTLET (2) AT DIMENSION SHOWN FOR 1- $\frac{1}{4}$ " OUTER DIAMETER PLAIN END ELBOW TAILPIECE (3).
- C- ROUGH-IN WATER SUPPLY (4) AT DIMENSION SHOWN FOR THE  $\frac{1}{4}$ " NOMINAL ( $\frac{3}{8}$ " O.D.) x 4" LONG COPPER TUBE CONNECTED TO THE IN-LINE STRAINER (5) PROVIDED. STOP RECOMMENDED ON SUPPLY IS TO BE SUPPLIED BY OTHERS.
- D- CAREFULLY REMOVE FIXTURE (6) AND COMPONENTS FROM THE PACKAGING PREVENTING SCRATCHING AND DAMAGE.
- E- ENSURE PUSHBUTTON (7), WASTE PIPING (3), AND BUBBLER (8) ARE SECURE AND CHECK ALL TUBING CONNECTIONS TO MAKE SURE THEY DID NOT COME LOOSE IN SHIPMENT.

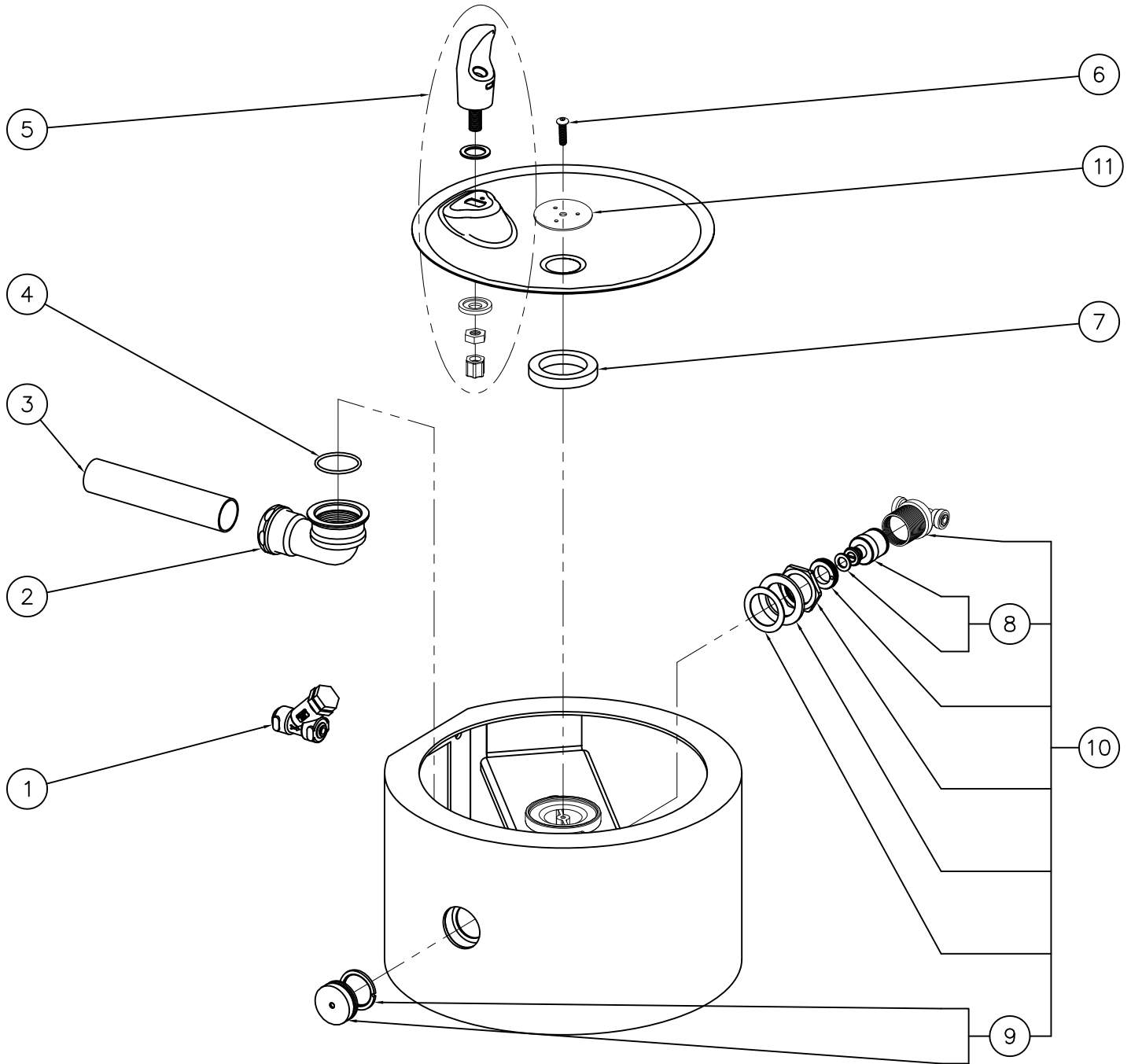
- F- SECURELY ANCHOR FIXTURE (6) TO THE WALL OR PEDESTAL THRU MOUNTING HOLES (1) WITH ANCHORING HARDWARE BY OTHERS.
- G- MAKE-UP 1- $\frac{1}{4}$ " O.D. WASTE CONNECTION TO TAILPIECE (3).
- H- FLUSH WATER SUPPLY (4) BY OTHERS OF ALL DEBRIS PRIOR TO CONNECTING TO FIXTURE.
- I- CONNECT WATER SUPPLY (4) BY OTHERS TO  $\frac{1}{4}$ " NOMINAL COPPER TUBE INLET. STOP ON THE SUPPLY IS RECOMMENDED.
- J- TEST OPERATION OF BUBBLER BY DEPRESSING BUTTON (7). ADJUST THE FLOW RATE AS REQUIRED. SEE DETAIL A. CHECK ALL CONNECTIONS AND WASTE PIPING FOR LEAKS. CORRECT IF PRESENT.

<p><b>ACORN AQUA</b> P.O. Box 3527 City of Industry, CA 91744 Phone: (800) 591-9360 www.acornaqua.com</p>	<p>TITLE <b>ROUND OUTDOOR STEEL PET FOUNTAIN</b></p>		
	<p>MANUFACTURE DATE</p> <p><b>JANUARY 2006</b></p> <p><b>TO PRESENT</b></p>	<p>DATE ISSUED</p> <p><b>09/27/05</b></p>	<p>DRAWING NUMBER</p> <p><b>9938-149-001</b></p>
		<p>DATE REVISED</p> <p><b>05/03/06</b></p>	



INSTALLATION INSTRUCTIONS

AquaDesign



1	7000-022-000	"Y" STRAINER	7	7000-006-000	FLAT DRAIN ADAPTER GASKET
2	7000-017-001	ELBOW ASSEMBLY	8	7000-069-001	VALVE CARTRIDGE WITH FOAM WASHER
3	7000-113-199	1-1/4" OUTER DIAMETER DRAIN TUBE	9	7000-068-001	RETAINING RING AND BUTTON ASSEMBLY
4	0401-128-000	O-RING	10	7000-065-001	RECESSED PUSHBUTTON VALVE ASSEMBLY
5	7000-002-001	STANDARD CHROME PLATED BRASS BUBBLER	11	7007-008-199	STRAINER, PET FOUNTAIN
6	0112-008-000	1/4"-20 BTN HD CENTER REJECT SCREW			
ITEM	PART NUMBER	DESCRIPTION	ITEM	PART NUMBER	DESCRIPTION



**ACORN AQUA**  
P.O. Box 3527 City of Industry, CA 91744  
Phone: (800) 591-9360 www.acornaqua.com

TITLE **ROUND OUTDOOR STEEL PET FOUNTAIN**

MANUFACTURE DATE  
**JANUARY 2006**  
**TO PRESENT**

DATE ISSUED  
**11/11/05**  
DATE REVISED  
**11/10/08**

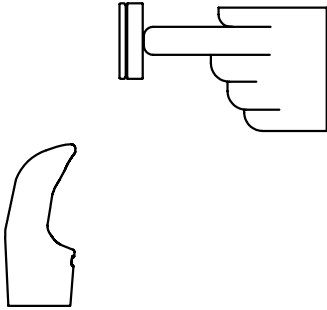
DRAWING NUMBER  
**9938-149-500**

**STANDARD PUSH PAD / PUSH BUTTON DRINKING FOUNTAIN**

**CONDITION:**

**SOLUTION:**

**NO WATER FLOW:**



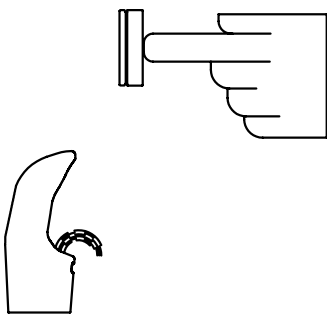
- 1.1 Check water main supply – open.
- 1.2 Inspect stop (by others) – open & no debris.
- 1.3 Inspect in–line strainer for debris – clean.
- 1.4 Replace valve cartridge.

**WATER DRIPS / WILL NOT SHUT OFF:**



- 2.1 For push pad activated drinking fountains only: Open fixture and move valve bracket assembly further back from push pad.
- 2.2 Replace valve cartridge.

**REDUCED WATER FLOW:**



- 3.1 Adjust the valve flow rate. See appropriate fixture installation instructions.
- 3.2 Check water main supply for 20 psig minimum flow pressure.
- 3.3 Inspect stop (by others) – open & no debris.
- 3.4 Inspect in–line strainer for debris – clean.
- 3.5 Inspect bubbler for debris – clean.
- 3.6 Inspect all tubing for twists or kinks.
- 3.7 Replace valve cartridge.

TITLE <b>DRINKING FOUNTAIN VALVE MAINTENANCE INSTRUCTIONS</b>		
MANUFACTURE DATE <b>JANUARY 2006 TO PRESENT</b>	DATE ISSUED <b>09/28/05</b>	DRAWING NUMBER <b>9940-200-001</b>
	DATE REVISED	