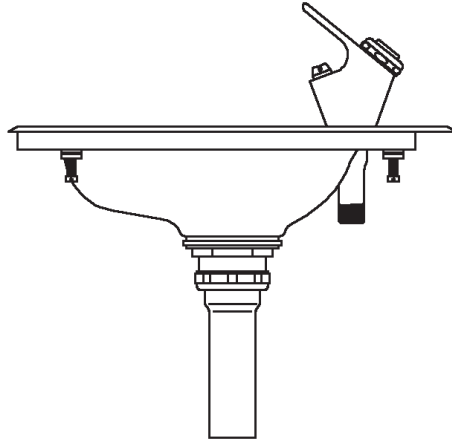


Halsey Taylor Owners Manual

MODEL 6000 FOUNTAIN



INSTALLATION

1. This fountain is to be mounted on a smooth, flat, finished surface, with adequate support structure.
 2. Refer to rough-in for plumbing.
 3. Locate and install trap. (Trap not included).
 4. Install shut-off valve on building water supply. (Shut-off valve not furnished).
 5. Secure fountain using 1/4" screws and lugs provided.
- CAUTION: This fountain is rated for inlet water pressure of 20-90 PSI. Should the inlet water supply exceed 90 PSI, a pressure reducing regulator should be used.
6. Connect fountain to building supply line by running a water line between the shut-off valve and fountain.
 7. Turn 'ON' water supply and check all connections for leaks.
 8. Adjust bubbler stream height. (See instructions below).

TROUBLE SHOOTING & MAINTENANCE

PROJECTOR: If mineral deposits build up in the orifice, they can be removed by using a round file or small diameter wire.

CAUTION: Care must be taken not to damage orifice assembly.

STREAM REGULATOR: Stream height is factory set at 45-50 PSI. If supply pressure varies greatly from this, remove the retaining nut and button (See Fig. 2) from bubbler assembly and adjust the screw on the regulator. Clockwise adjustment will raise stream height and counterclockwise will lower the stream height. A stream height of 1" (25mm) is recommended (See Fig. 1).

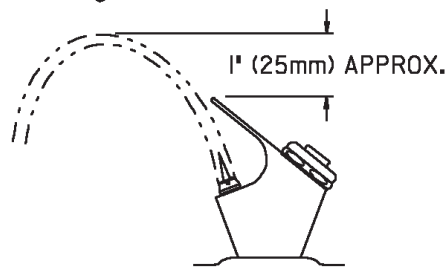
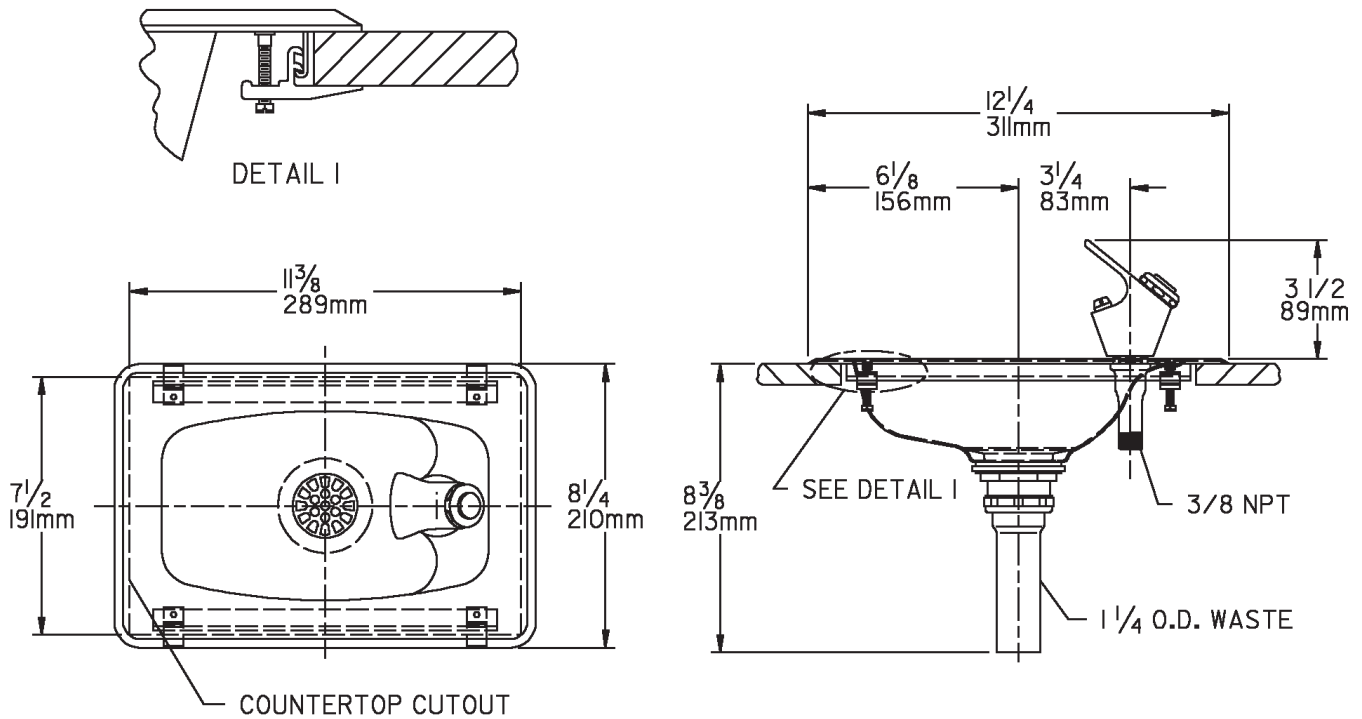


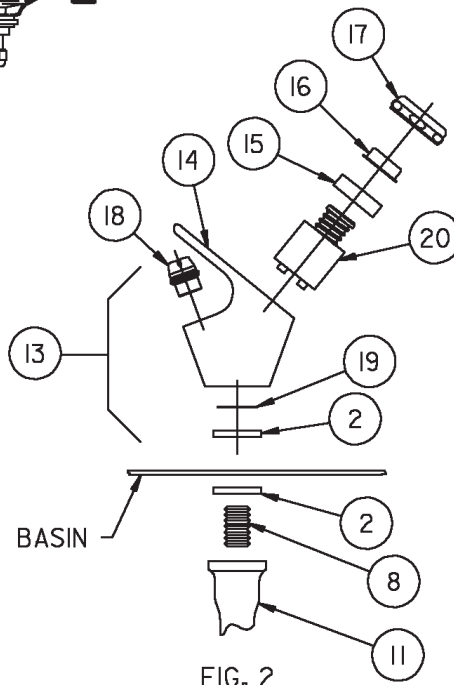
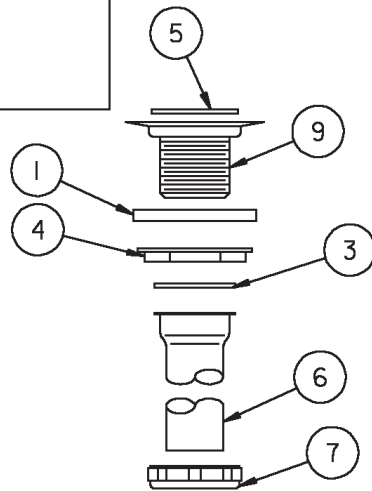
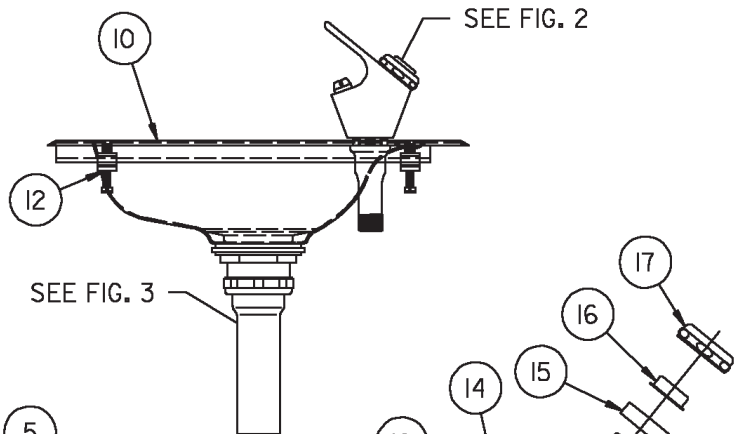
FIG. 1

ROUGH-IN SPECIFICATIONS



ITEMIZED PARTS LIST

1	100147140560	GASKET
2	100322740560	GASKET-BLACK
3	100352940560	GASKET-SLIPNUT
4	110346220550	LOCKNUT
5	160270508640	STRAINER PLT.-BRIGHT
6	160346008640	TAILPIECE-1 1/4 O.D. X 4
7	160346308640	SLIPNUT-1 1/2
8	160609216550	NIPPLE-PROJECTOR
9	161637308640	DRAIN PLUG
10	170807042830	RECEPTOR
11	45657C	FITTING-PROJECTOR MTG.
12	75496C	HARDWARE PACK
13	A5488I	BUBBLER ASSY
14	45675C	BUBBLER BODY
15	1003IC	RETAINING NUT
16	40048C	BUTTON
17	40089C	NUT-COVER
18	40322C	ORIFICE ASSY
19	6029IC	SCREEN-SS
20	61313C	REGULATOR



Halsey Taylor

2222 CAMDEN COURT
OAK BROOK, IL 60523
630.574.3500

REPAIR SERVICE INFORMATION TOLL FREE NUMBER 1.800.260.6640

FOR PARTS CONTACT YOUR LOCAL DISTRIBUTOR OR VISIT OUR WEBSITE WWW.HALSEYTAYLOR.COM