

FEATURES

Model LKDC2432

- Three hole concealed mount installation
 - Three 1-1/2" (38mm) faucet holes required
 - Maximum countertop thickness 1" (25mm)
- 360°, tubular brass, hi-arc swing spout with restricted flow aerator
- High polished, chrome plated finish
- Removable ceramic disc cartridge
- Ship Wt. 4-3/4 lbs. (2.2Kg)
- Maximum flow rate
 - 2.5 GPM/9.5 L/min at 80 P.S.I.G.
 - 2.2 GPM/8.3 L/min at 60 P.S.I.G.

Model LKDC2432BH

- Same as LKDC2432 except with 4" (102mm) blade handles
- Ship Wt. 5 lbs. (2.3Kg)

Model LKDC2433

- Same as LKDC2432 except with retractable spray and hose
- Four hole concealed mount installation
 - Four 1-1/2" (38mm) faucet holes required
- Ship Wt. 4-1/4 lbs. (1.9Kg)

WARRANTY

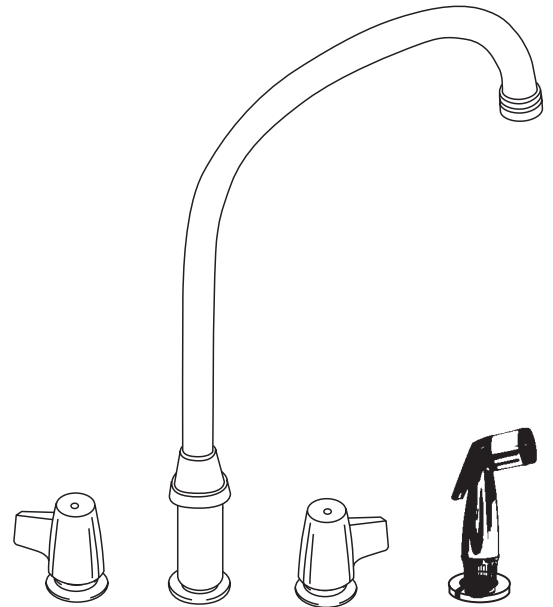
- Limited Lifetime

COMPLIES WITH:

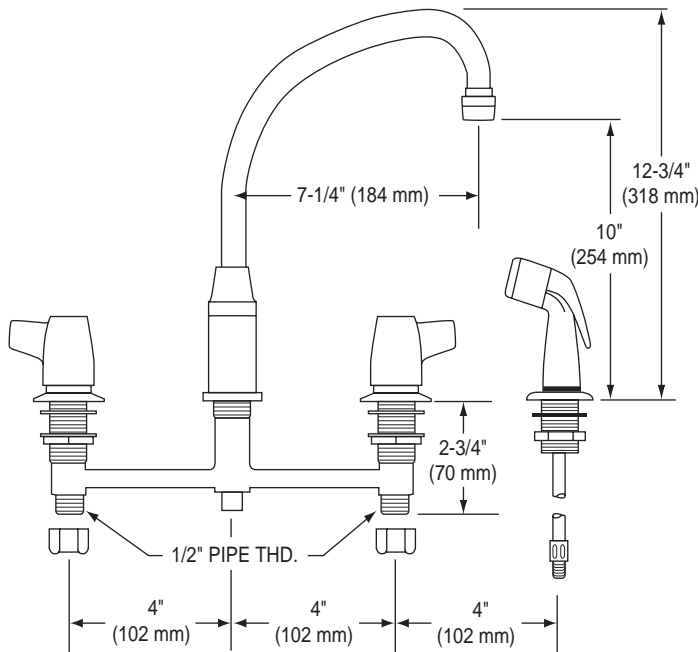
- ADA
- ANSI/NSF61 - Certified
- ASME 112.18.1/CSA B125.1
- CA AB1953/VT S152



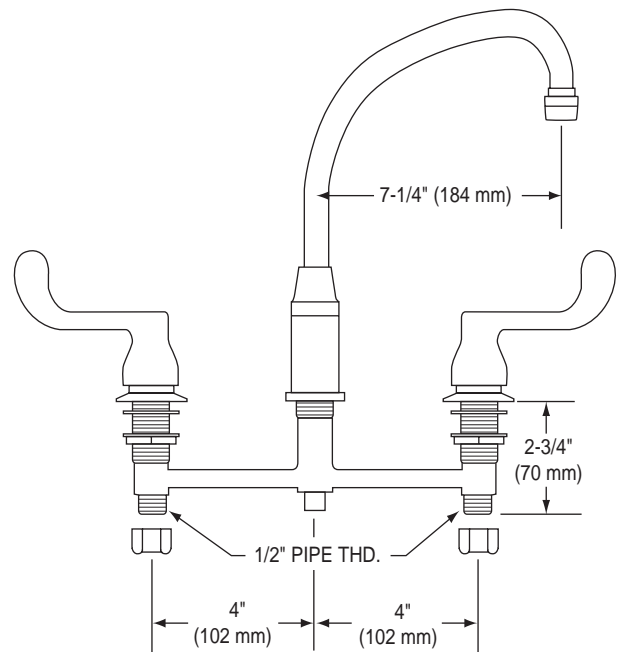
LKDC Series Classroom/Institutional Two Handle Faucet Models LKDC2432, LKDC2432BH, and LKDC2433



Model LKDC2433



Model LKDC2433



Model LKDC2432BH

SEE OTHER SIDE FOR REPLACEMENT PARTS

LKDC Series Classroom/Institutional Two Handle Faucet Models LKDC2432, LKDC2432BH, and LKDC2433

*Parts ending in NL effective 10/1/2009. Prior to 10/1/2009 order part less NL suffix.

ITEM	IND. PART	KIT. PART	DESCRIPTION
1	N/A	A52721R	SPOUT ASSEMBLY
2	N/A		
3	N/A		
4	N/A		
5	P05101	A74921R	HANDLE ASSEMBLY
6	P36119		
7	P01273		
8	P29121NL	N/A	RH CARTRIDGE
9	P29122NL	N/A	LH CARTRIDGE
10	P48019	N/A	DIVERTER
11	P02137	A54896R	ESCUTCHEON SLEEVE
12	P35168		
13	P03133	N/A	FLANGE
14	P47032NL	A73645R	BODY ASSEMBLY
15	N/A		
16	P02164	N/A	FLANGE
17	P35174	N/A	WASHER
18	P02119	N/A	LOCKNUT
19	P02103	N/A	COUPLING NUT
20	A55449R	N/A	SIDE SPRAY ASSEMBLY
21	P36114	A55180R	RH BH HANDLE ASSEMBLY
22	P01241		
22	P01241	A55179R	LH BH HANDLE ASSEMBLY
23	P36115		

