

**Hi-Arc® Single-Lever Kitchen Faucet  
Models LKE4121 and LKE4121RS****FEATURES****Model LKE4121**

- Two hole, single-lever top mount kitchen faucet
  - Two 1-1/2" (38.8mm) diameter faucet holes required
  - Maximum countertop thickness is 1-1/8" (28.6mm)
- Temperature and flow controlled by one movement of the single-lever handle
- Tubular high-arc, 360° swing spout with restricted flow aerator and brass escutcheon
- Highly polished, chrome plated finish
- Removable cartridge
- 3/8" (10mm) O.D.; 10" (254mm) long; copper tube connections
- Ship Wt. 4.5 lbs. (2Kg)
- Maximum flow rate
  - 2.5 GPM/9.5 L/min at 80 P.S.I.G.
  - 2.2 GPM/8.3 L/min at 60 P.S.I.G.

**Model LKE4121RS**

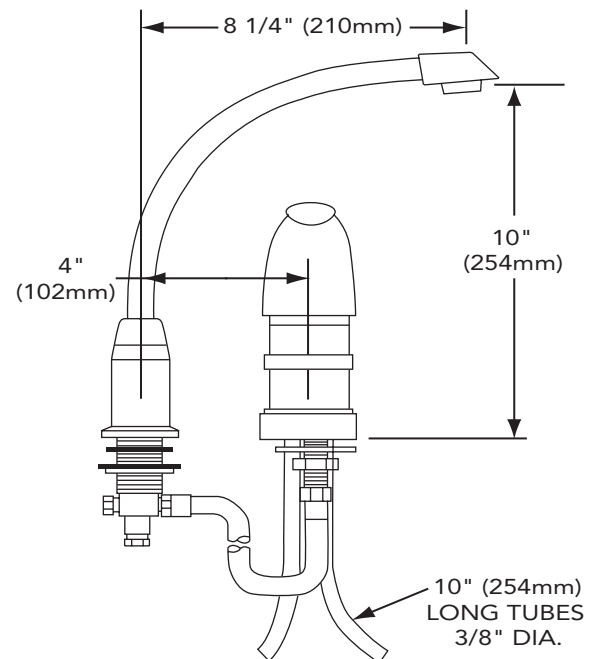
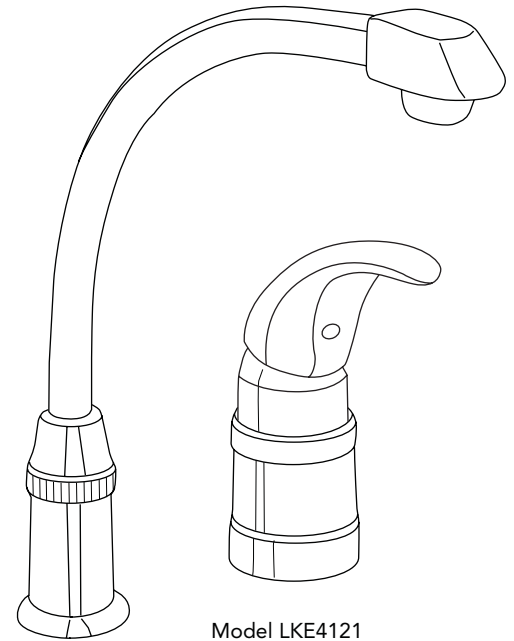
- Same as LKE4121 except with rigid spout, 0° swing
- Ship Wt. 4.5 lbs. (2Kg)

**WARRANTY**

- Limited Lifetime

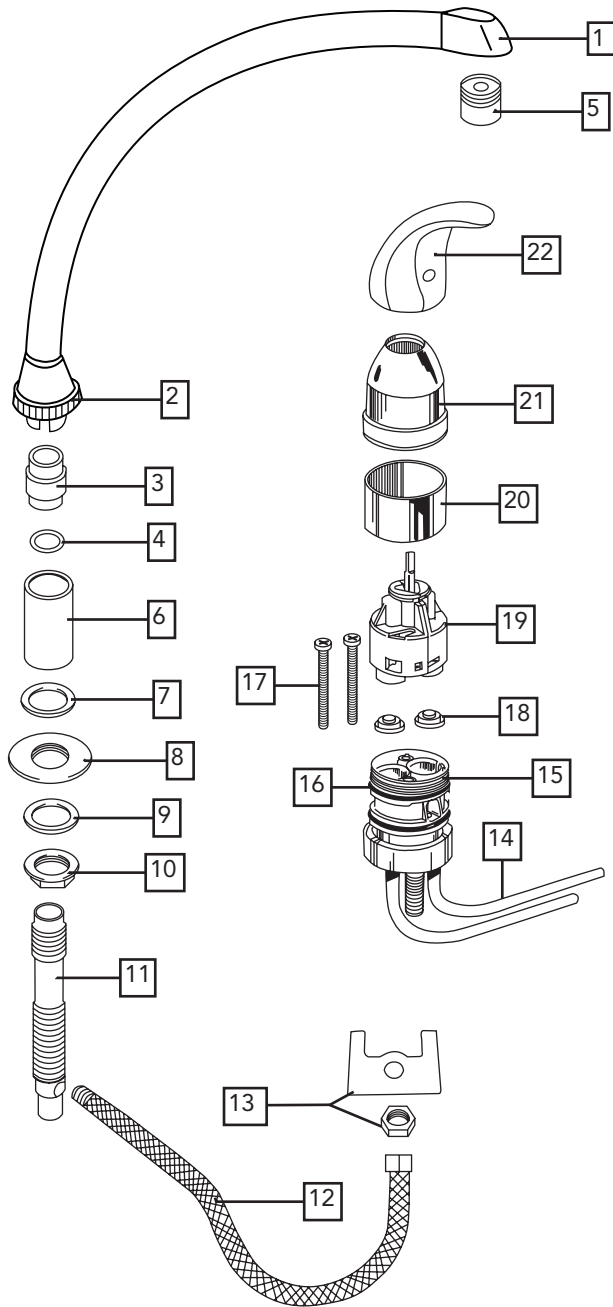
**COMPLIES WITH:**

- ADA
- ANSI/NSF61 - Certified
- ASME A112.18.1/CSA B125.1
- CA AB1953/VT S152



SEE OTHER SIDE FOR REPLACEMENT PARTS

### Hi-Arc® Single-Lever Kitchen Faucet Models LKE4121 and LKE4121RS



FAUCET	SPOUT ASSEMBLY	WATERWAY
LKE4121	A52723R	P47088
LKE4121RS	A55114R	P47090

ITEM	IND. PART	KIT PART	DESCRIPTION
1	N/A	SEE CHART	SPOUT ASSEMBLY
2	N/A		
3	N/A		
4	N/A		
5	P05101		
6	P02116	A52814R	ESCUTCHEON SLEEVE ASSEMBLY
7	P35168		
8	P02114	N/A	FLANGE
9	P35174	N/A	WASHER
10	P02119	N/A	LOCKNUT
11	SEE CHART	N/A	WATERWAY
12	P48017	N/A	HOSE
13	P35102	N/A	MOUNTING HARDWARE
14	P47011	N/A	BASE
15	P47070	N/A	HOUSING
16	P37122	N/A	O-RING
17	P36108	N/A	SCREW
18	A53226R	A52399R	CARTRIDGE
19	N/A		
20	P47063	N/A	HUB
21	P47045	N/A	DOME
22	N/A	A53080R	HANDLE ASSEMBLY