

# ELKAY<sup>®</sup>

## SPECIFICATIONS

### No Lead Drinking Fountain Soft Sides<sup>®</sup> Wall Mount – Fully Exposed Models **EDFP210RC** (White Granite) and **EDFP214RC** (White Granite)

#### GENERAL

**EDFP210RC** With a contemporary look and smooth, rounded lines, these wall mounted drinking fountains are constructed of a premium composite, solid surface material. White Granite finish.

Contoured basin minimizes splashing and has exclusive Flexi-Guard<sup>®</sup> safety bubbler to help prevent accidental mouth injuries. Easy to operate, fully functional chrome plated push-button is vandal-resistant. Bottom cover plate included. Flow regulator provides constant stream from 20 to 105 psi water pressure.

**EDFP214RC** Same as EDFP210RC except this drinking fountain complies with the requirements of A.D.A. (Americans with Disabilities Act) when properly installed.

#### NO LEAD DESIGN

**THIS DRINKING FOUNTAIN COMPLIES WITH THE LEAD-FREE DEFINITION IN THE SAFE DRINKING WATER ACT OF 1986 AND LEAD CONTAMINATION CONTROL ACT OF 1988.**

Elkay Drinking Fountains are manufactured with a waterway system utilizing copper components and completely lead-free material. These waterways have no lead because all leaded materials, such as leaded brass, have been removed.

This fountain is certified by WQA to lead-free compliance including **NSF/ANSI 61-ANNEX G, AB 1953.**

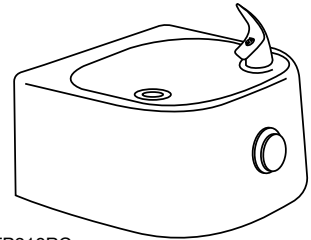
#### CONSTRUCTION

**EDFP210RC** and **EDFP214RC** furnished complete with Flexi-Guard<sup>®</sup>, fully assembled front push-button, flow regulator (20 to 105 psi), and drain and trap assembly. Bottom cover plate included.

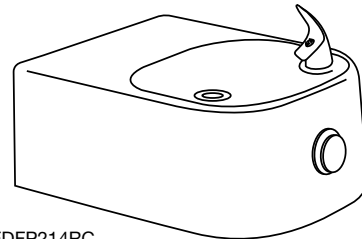
#### ACCESSORIES

**MPW101** In-wall carrier mounting plate.

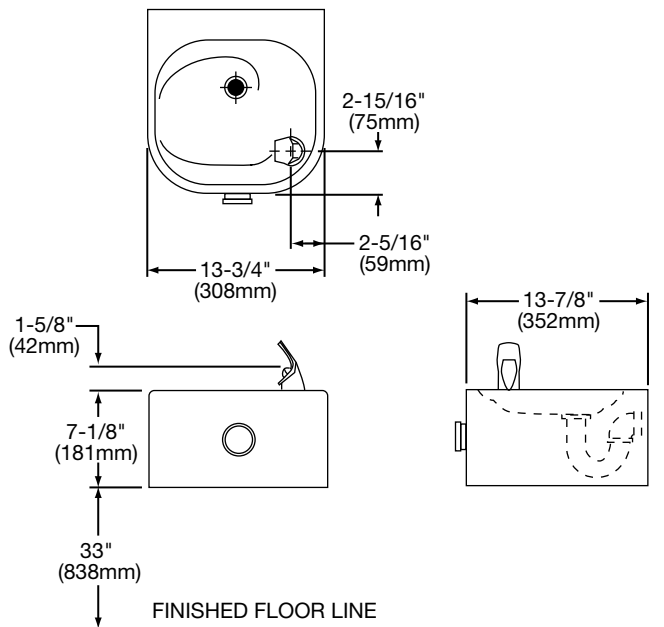
**ML100** Support columns for MPW101.



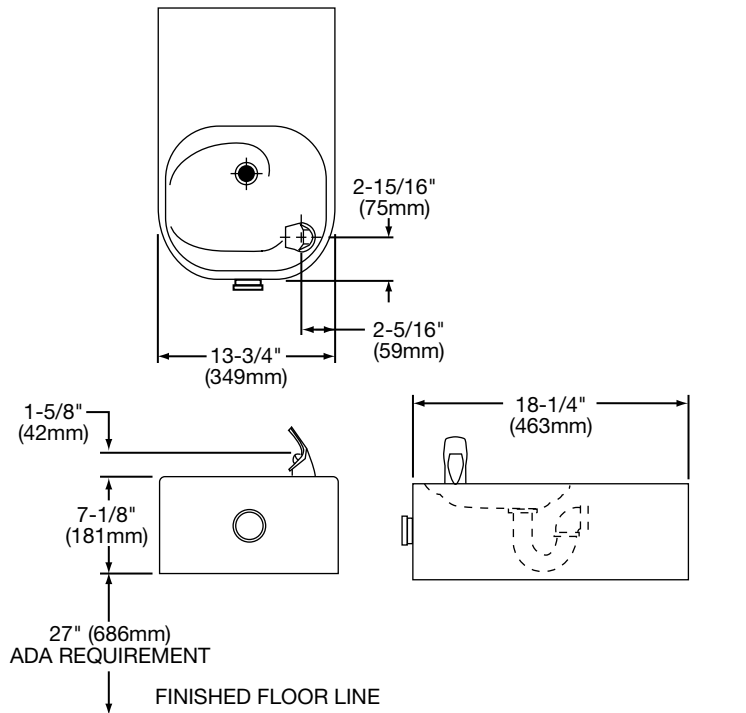
Model EDFP210RC



Model EDFP214RC



EDFP210RC Illustrated



EDFP214RC Illustrated

In keeping with our policy of continuing product improvement, Elkay reserves the right to change product specifications without notice. Please visit [elkayusa.com](http://elkayusa.com) for most current version of Elkay product specification sheets.

This specification describes an Elkay product with design, quality and functional benefits to the user. When making a comparison of other producers' offerings, be certain these features are not overlooked.

**No Lead Drinking Fountain Soft Sides®  
Wall Mount - Fully Exposed  
Models EDFP210RC (White Granite)  
and EDFP214RC (White Granite)**

**ELKAY®  
ROUGH-IN DIMENSIONS**

**INSTALLER NOTE**

THIS DRINKING FOUNTAIN IS FURNISHED WITH A BUBBLER AND VALVE INCLUDING ALL CONNECTING FITTINGS WHICH ARE MANUFACTURED OF COMPLETELY LEAD FREE MATERIAL. SHUT OFF VALVE (NOT FURNISHED) TO ACCEPT 3/8" O.D. UNPLATED COPPER TUBE.

**Care and Maintenance of Elkay Composite Fountains**

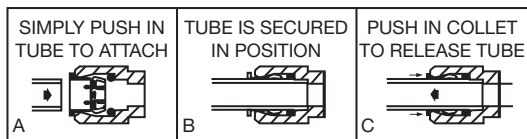
The premium composite fountain provides an extremely durable, non-porous surface which resists staining. Care is very simple. Routine cleaning with a soft sponge or cloth, or with water or non-abrasive aerosol foam cleaner, is all that is normally needed to give many years of trouble free service. Cleaners left standing on the fountain surface can dull the surface finish. Be certain to rinse all cleaning agents completely and polish with a soft cloth.

Harsh abrasive cleaners are not required and should not be used.

Mild abrasives such as liquid automotive cleaning compound or baking soda paste will remove simple scratches and stains. Cigarette burns can normally be removed without noticeable effect. Deeper scratches or gouges can be corrected with fine grit sandpaper (240 grit then 400 grit) or a green scotchbrite™ pad.

To maintain or regain luster and make cleaning easier, periodic applications of automobile wax or like products will keep the finish looking like new.

**OPERATION OF QUICK CONNECT FITTINGS**



PUSHING TUBE IN BEFORE PULLING IT OUT HELPS TO RELEASE TUBE

