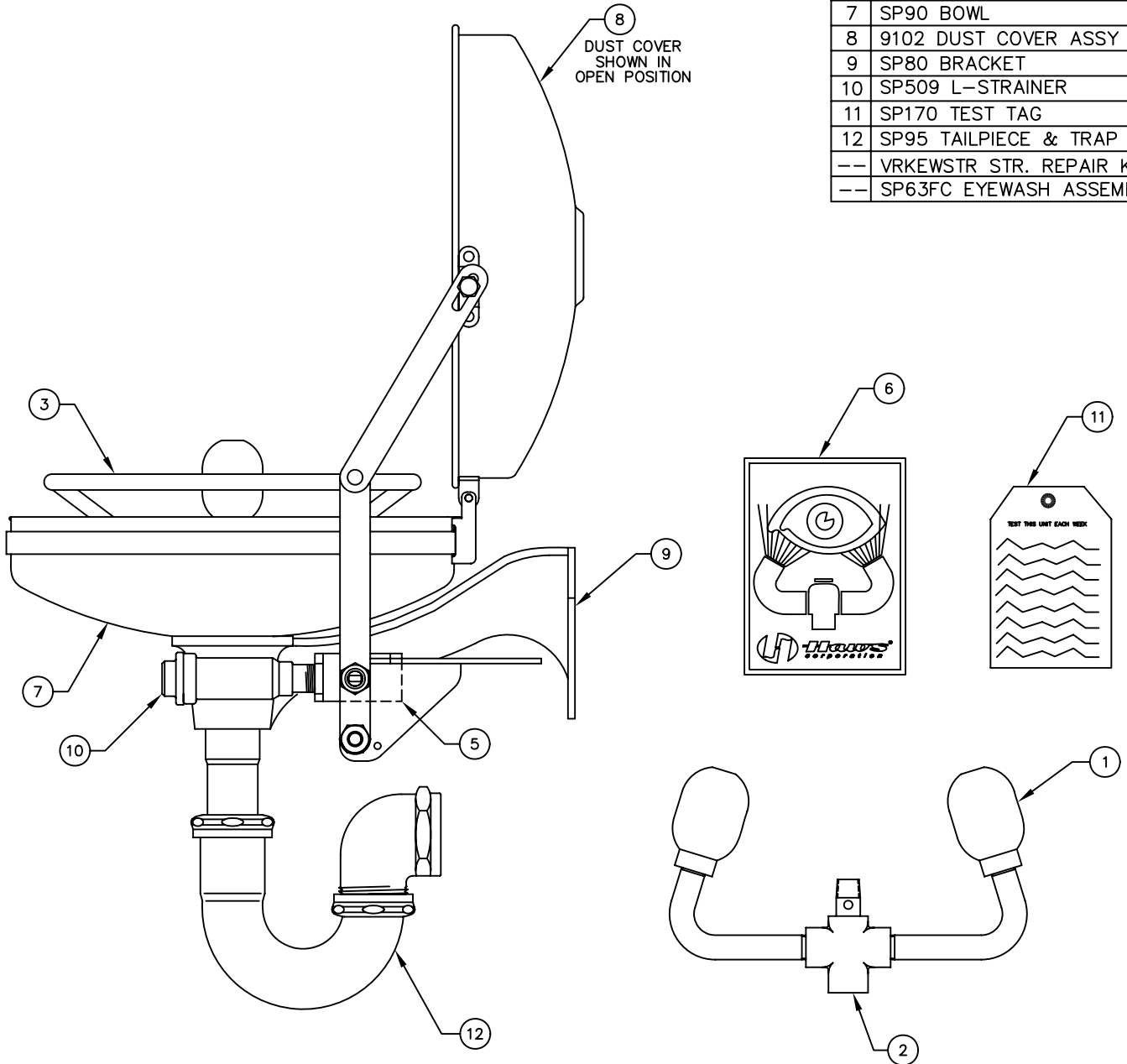


PARTS BREAKDOWN

| ITEM | DESCRIPTION |
|------|----------------------------|
| 1 | SP11FC EYEWASH HEADS |
| 2 | SP34FC FACE RING FLOW CTRL |
| 3 | SP30 FACE SPRAY RING |
| 4 | - |
| 5 | SP229 VALVE ASSEMBLY |
| 6 | SP175 EYEWASH SIGN |
| 7 | SP90 BOWL |
| 8 | 9102 DUST COVER ASSY |
| 9 | SP80 BRACKET |
| 10 | SP509 L-STRAINER |
| 11 | SP170 TEST TAG |
| 12 | SP95 TAILPIECE & TRAP |
| -- | VRKEWSTR STR. REPAIR KIT |
| -- | SP63FC EYEWASH ASSEMBLY |



NOTE: SP95 TAILPIECE & TRAP USED FOR MODEL 7760BT ONLY

SP63FC EYEWASH ASSY.

WHEN ORDERING PARTS PLEASE SPECIFY YOUR MODEL NUMBER



1455 KLEPPE LANE SPARKS, NEVADA | BACHWEG 3 CH3401 BURGDORF SWITZERLAND

| | | | | |
|-----------------------------------|----------------|-----------|--------------------------|------------|
| DRAWN BY: CLF | DATE: 03/03/93 | CHECK BY: | APP'D BY: | SCALE: 1/2 |
| TITLE: 7760B/7760BT EYE/FACE WASH | | | PART NUMBER: 0002080090 | |
| DRAWING TYPE: PARTS BREAKDOWN | | | DRAWING NUMBER: 11465C00 | REV: 8 |