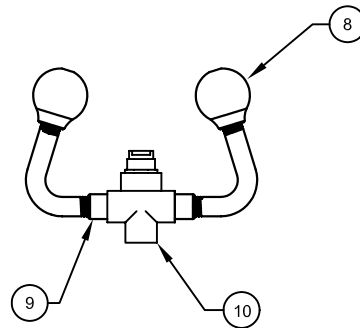
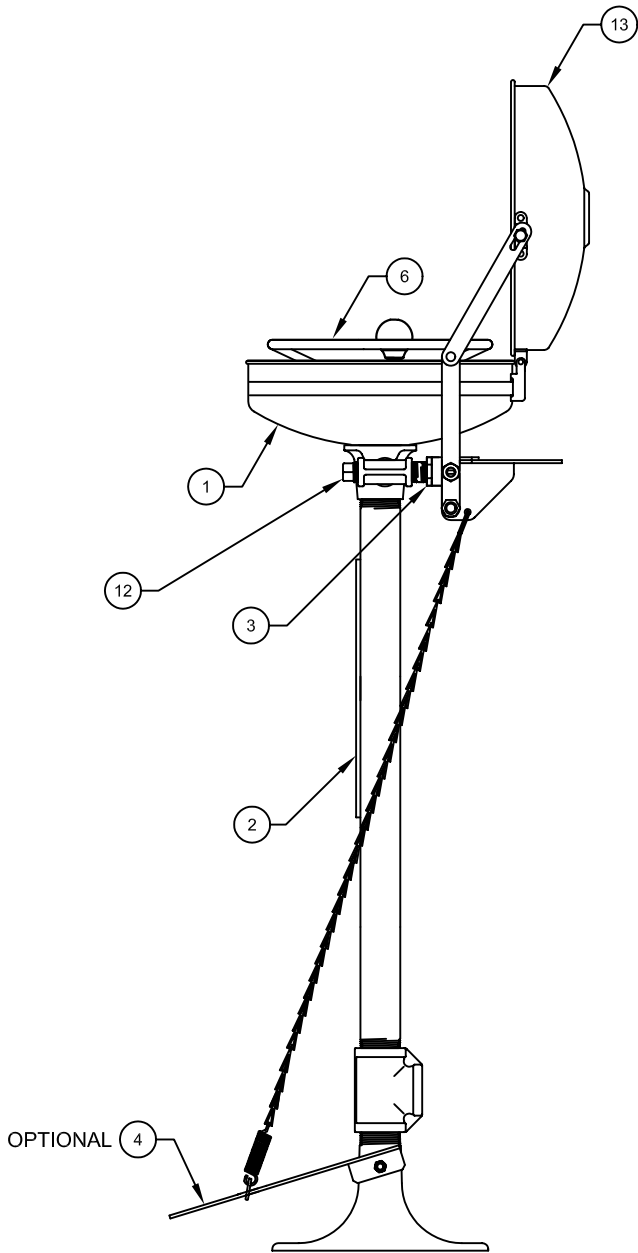


PARTS BREAKDOWN

OPTIONAL

ITEM	DESCRIPTION
1	SP90 BOWL
2	SP175 EYEWASH SIGN
3	SP232 VALVE ASSEMBLY
4	SP220SS FOOT TREADLE
5	-
6	SP30 SPRAY RING
7	-
8	SP18SS EYEWASH HEADS
9	SP35SS FLOW CONTROL
10	SP34SS FLOW CONTROL
11	SP170 TEST TAG
12	SP509SS L-STRAINER
13	9102 DUST COVER ASSEMBLY
--	VRKEWSTR STR. REPAIR KIT

DUST COVER SHOWN IN OPEN POSITION



SS EYEWASH ASSY.



OPTIONAL

REV	DESCRIPTION	ECN	DATE	BY/APVD
11	UPDATED PER.	4262	06/18/09	HM

WHEN ORDERING PARTS PLEASE SPECIFY YOUR MODEL NUMBER



1455 KLEPPE LANE
SPARKS, NEVADA 89431
(775) 359-4712 FAX (775) 359-7424
E-MAIL: HAWS@HAWS.CO.COM
WEBSITE: WWW.HAWS.CO.COM

DRAWN BY: CLF	DATE: 03/04/96	CHECK BY:	APPVD BY:	SCALE: .1/4
TITLE: 7777 SS PED EYE/FACEWASH			PART NUMBER: 0002080102	
DRAWING TYPE: PARTS BREAKDOWN			DRAWING NUMBER: 11467C00	REV. 11