

APPLICATION:

PRODUCT NAME:

TEMPERATURE CONTROL VALVE
3/8" FEMALE

JOB NAME:

SPECIAL CONFIGURATION
 CHECK BASE MODEL AND OPTIONS

QUANTITY:

ITEM NO.

MODEL:

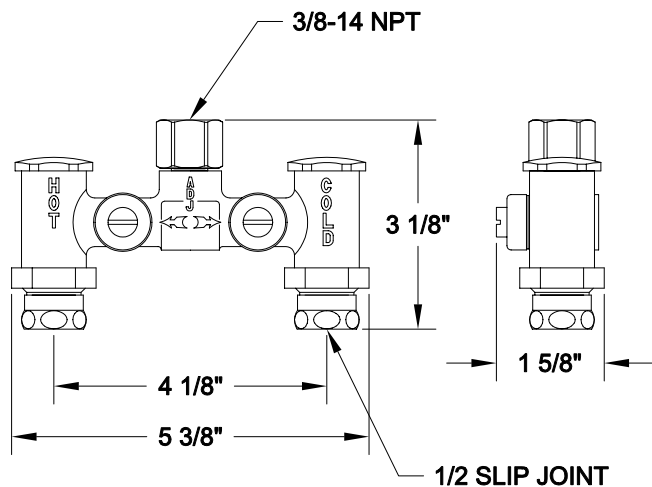
2970-2

OPTIONS OR MODIFICATIONS:

OTHER _____

FEATURES

- * INTERNAL CHECK VALVES
- * SCREWDRIVER ADJUSTS HOT AND COLD FLOW



APPLICATION:

PRODUCT NAME:
 TEMPERATURE CONTROL VALVE
 1/2 TP

JOB NAME:

_____ SPECIAL CONFIGURATION
 CHECK BASE MODEL AND OPTIONS

QUANTITY:

ITEM NO.

MODEL:
 2970-3

OPTIONS OR MODIFICATIONS:
 OTHER _____

FEATURES

- * INTERNAL SPRING LOADED CHECK VALVES
- * SCREWDRIVER ADJUSTS BOTH HOT AND COLD FLOW

SHIPPING WEIGHT

* 1.75 LBS

