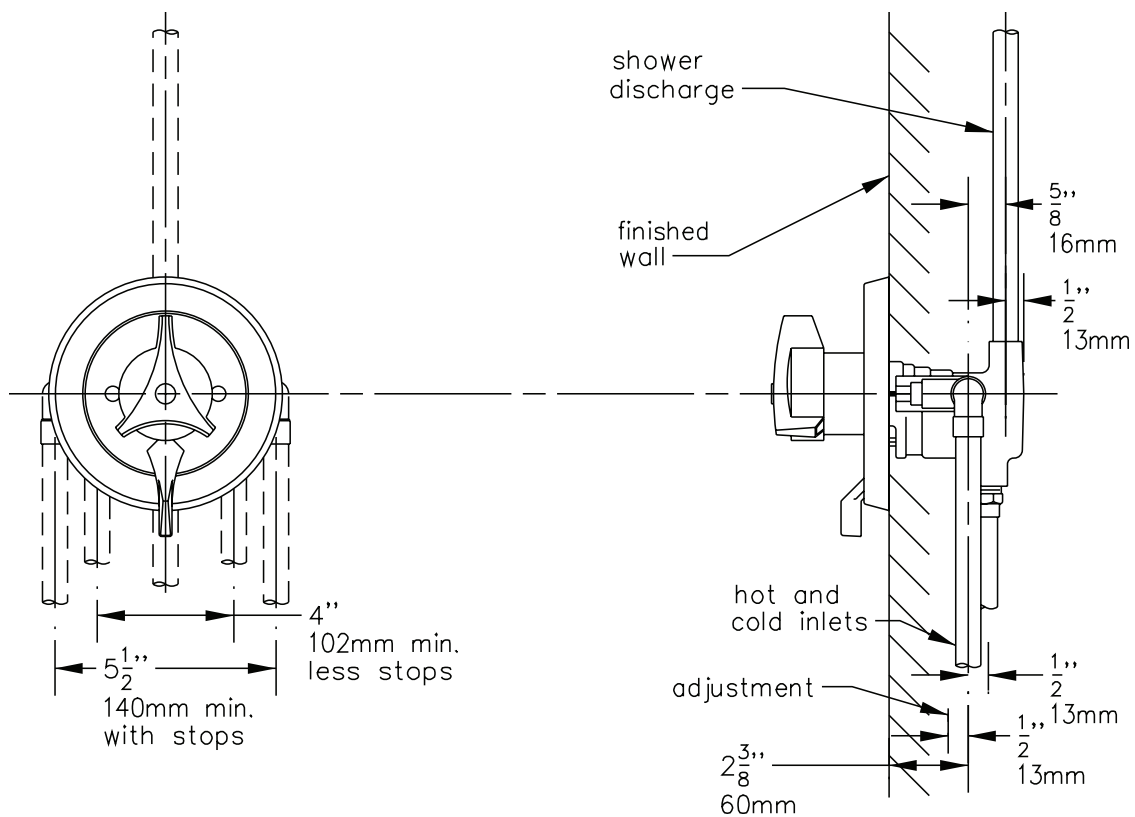


## S-86-2

**Temptrol®** Pressure-Balancing tub and shower mixing valve with combination integral diverter and volume control and adjustable stop screw to limit handle turn.

**Suffix X:** Integral service stops—allows water shut-off at valve for service



This drawing to be used for rough-in installation only. All floor to center dimensions optional. Concealed piping and fittings not furnished by manufacturer. For ADA compliance (Americans with Disabilities Act) consult ADAAG or your state regulations for proper product choice and mounting locations. For complete installation, adjustment and service information see installation instructions.

Symmons Industries, Inc. ■ 31 Brooks Drive ■ Braintree, MA 02184  
(800) 796-6667, (781) 848-2250 ■ Fax (800) 961-9621, (781) 843-3849  
Website: [www.symmons.com](http://www.symmons.com) ■ Email: [customerservice@symmons.com](mailto:customerservice@symmons.com)

©2003, 2008 Symmons Industries, Inc. Printed in U.S.A. ■ 050708

  
**SYMMONS®**  
the smart choice™