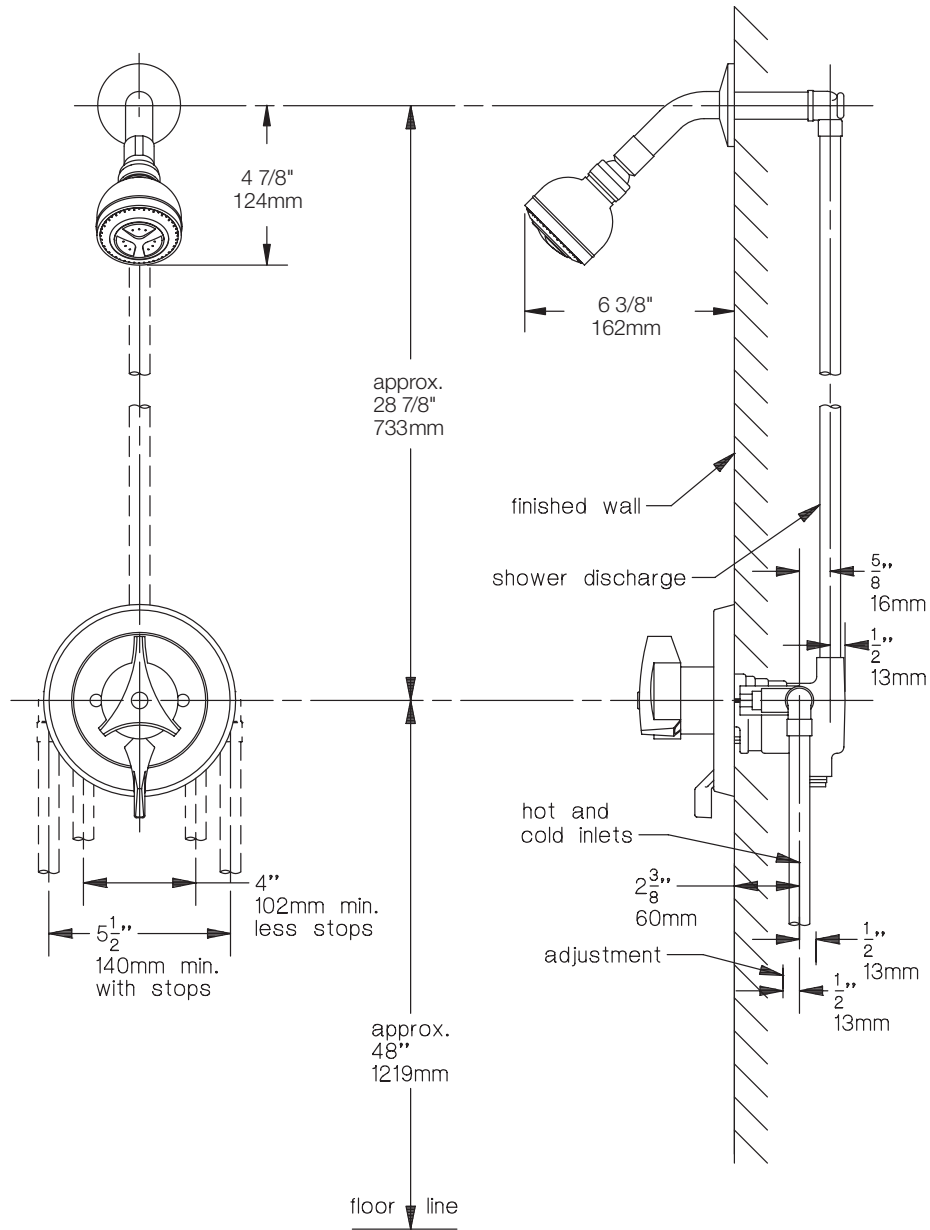


S-96-1

Temptrol® Pressure-Balancing mixing valve with integral volume control and adjustable stop screw to limit handle turn. Clear-Flo shower head with arm and flange.

Suffix X: Integral service stops—allows water shut-off at valve for service



This drawing to be used for rough-in installation only. All floor to center dimensions optional. Concealed piping and fittings not furnished by manufacturer. For ADA compliance (Americans with Disabilities Act) consult ADAAG or your state regulations for proper product choice and mounting locations. For complete installation, adjustment and service information see installation instructions.

Symmons Industries, Inc. ■ 31 Brooks Drive ■ Braintree, MA 02184
 (800) 796-6667, (781) 848-2250 ■ Fax (800) 961-9621, (781) 843-3849
 Website: www.symmons.com ■ Email: customerservice@symmons.com

©2003, 2008 Symmons Industries, Inc. Printed in U.S.A. ■ 050708

SYMMONS®
 the smart choice™