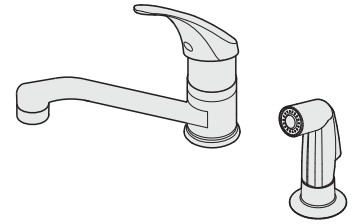


Location:



Symmetrix®



Kitchen Faucet S-23 Series

Specification Submittal

Model S-23-2-SM



Feature Highlights

- Single lever kitchen faucet with red & blue indicators on handle
- Handle limit stops
- 8-3/4 inch swing spout with aerator
- Ceramic control components

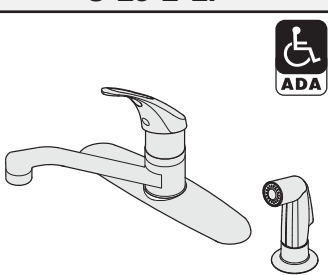
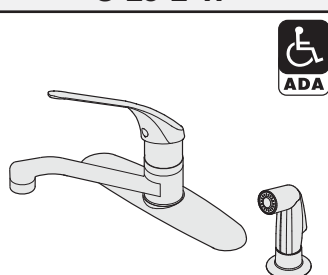
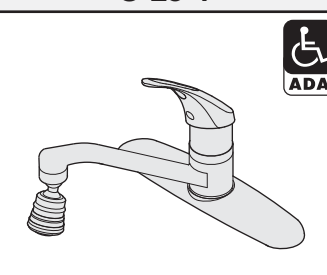
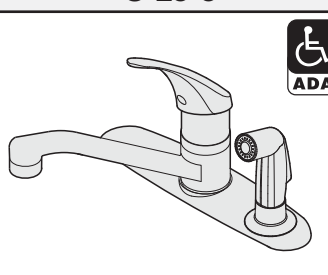
- Supply has 3/8 inch copper tubing, 8-inch centers
- Metal construction, polished chrome finish
- 2.2 gpm (8.3 L/min) standard flow rate

Standards / Certifications

ASME A112.18.1-2005/CSA B125.1-05

Warranty

- Limited Lifetime - to the original end purchaser in consumer installations.
- 5 years - for commercial installations

| S-23 series | | | |
|--|--|---|--|
| S-23-2-LP | S-23-2-W | S-23-1 | S-23-3 |
|  |  |  |  |

Ordering Information

Model Numbers

Append appropriate -suffix to model number.

- S-23 Faucet only
- S-23-1 Faucet with swivel spray aerator in place of hose and spray
- S-23-2 Faucet with hose and spray
- S-23-3 Faucet with hose and spray mounted on escutcheon

Handle Options / Modifications

Append appropriate -suffix to model number.

- LP Loop handle
- W Lever handle 6 inch (152mm) chrome only

Finish Options / Modifications

Append appropriate -suffix to model number.

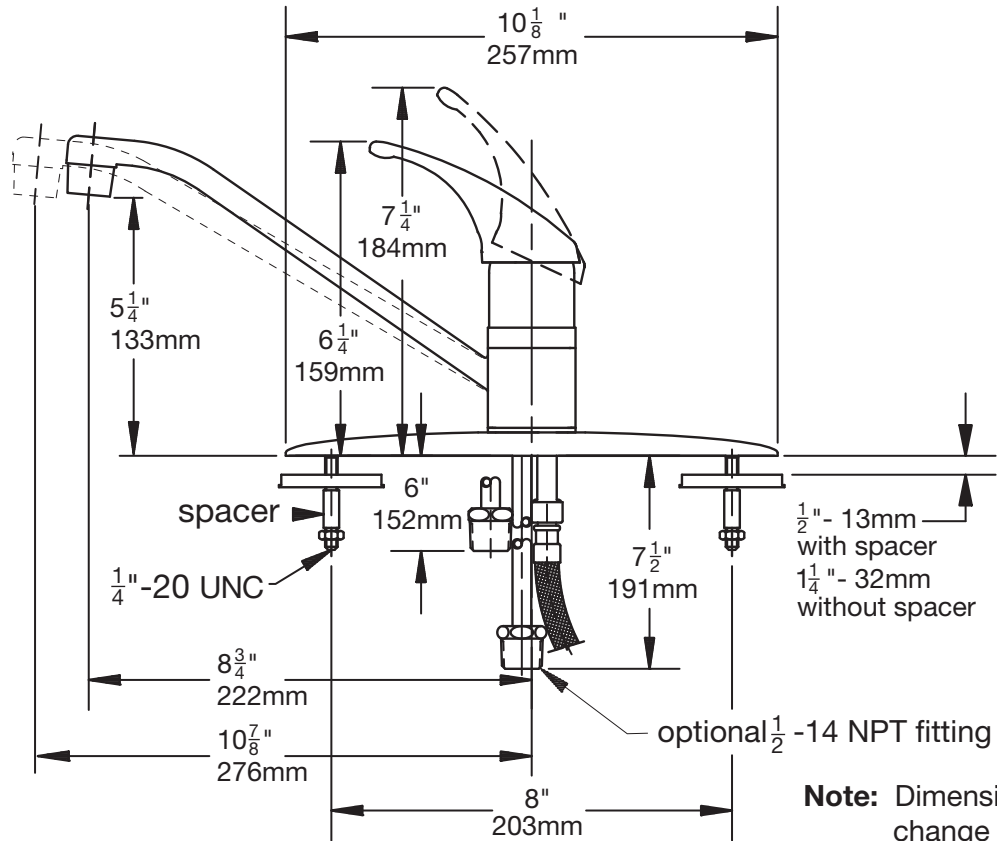
- STN Radiance® satin finish*
- Polished chrome (standard finish)

Other Options

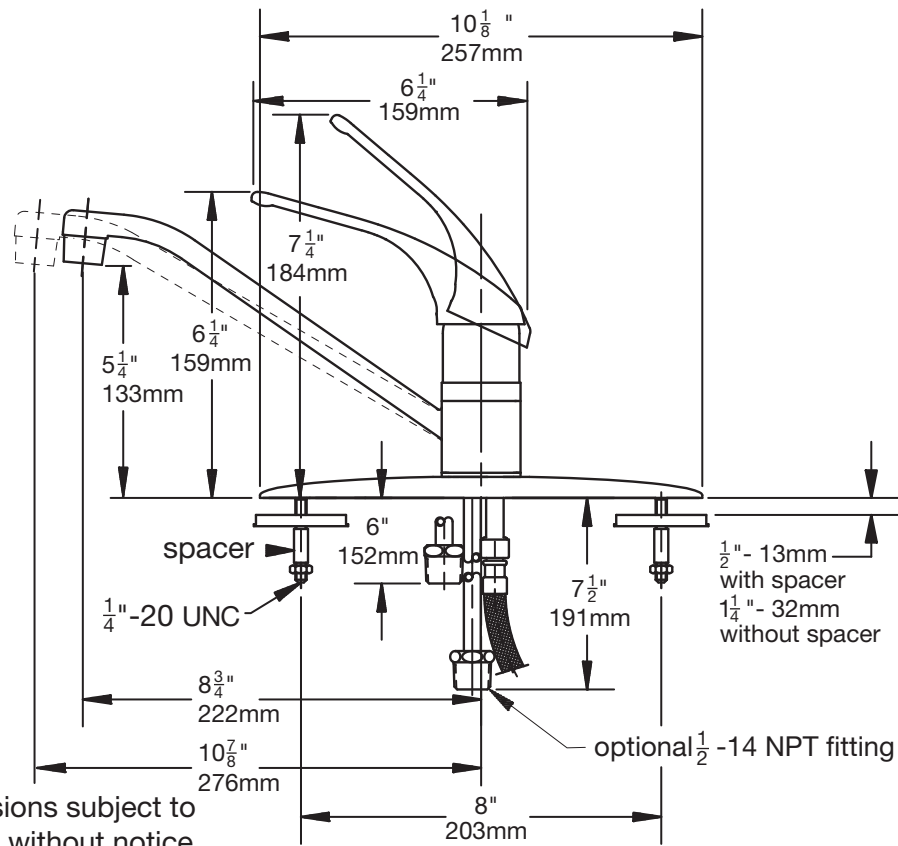
Append appropriate -suffix to model number.

- LST 18 inch copper supply tubing
- BH 20 inch (508 mm) braided hose supplies
- 10 10-7/8 inch swing spout with aerator
- IPS 1/2 inch IPS connections
- .5 .5 gpm (1.9 L/min) flow restrictor, vandal resist.
- 1.5 1.5 gpm (5.7 L/min) flow restrictor, vandal resist.
- VP Vandal resistant, standard 2.2 gpm aerator
- NA Non-aerated, laminar flow outlet
- SM Single hole mounting

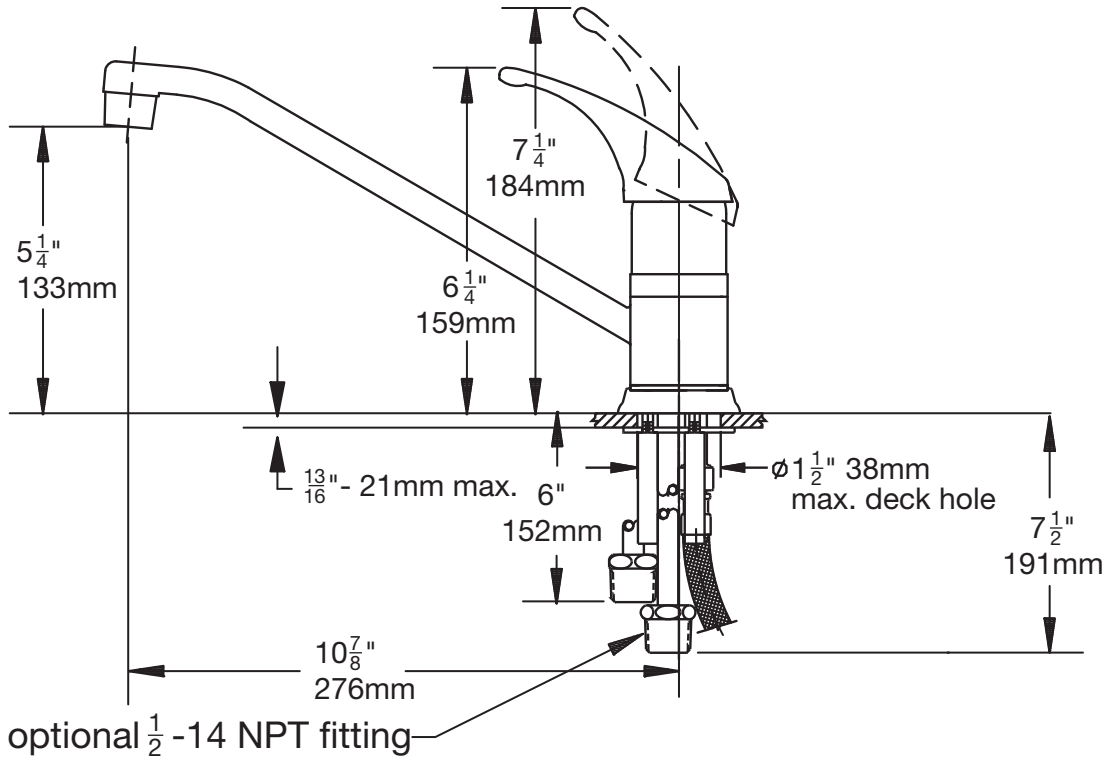
Dimensions *Symmetrix Kitchen Faucet, S-23*



Dimensions *Symmetrix Kitchen Faucet, S-23-W*

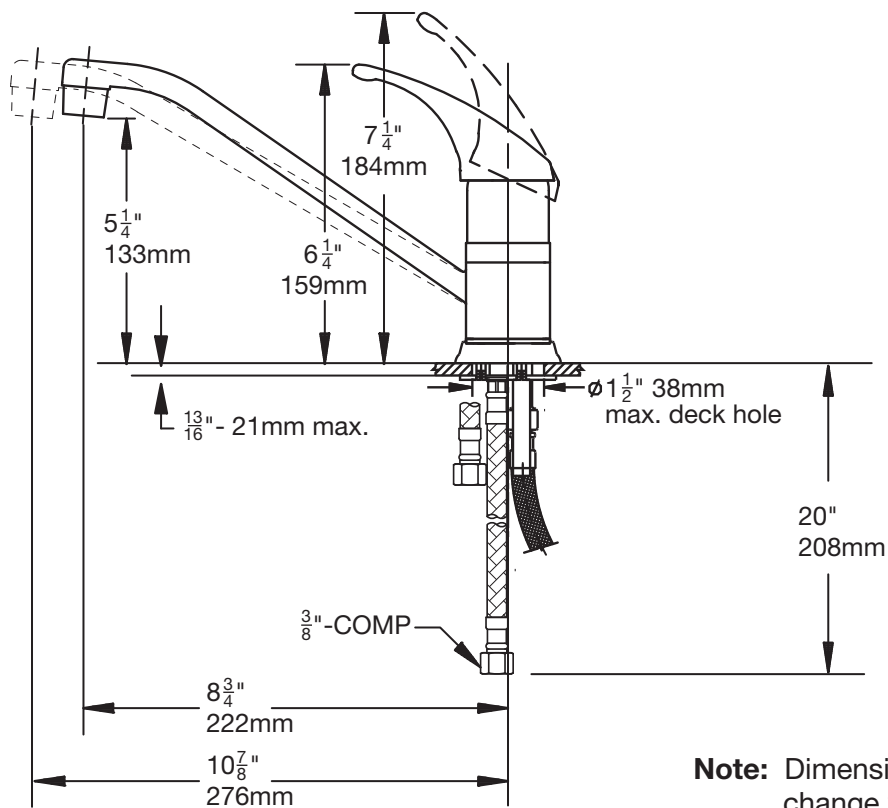


Dimensions *Symmetrix Kitchen Faucet, S-23-SM-10*



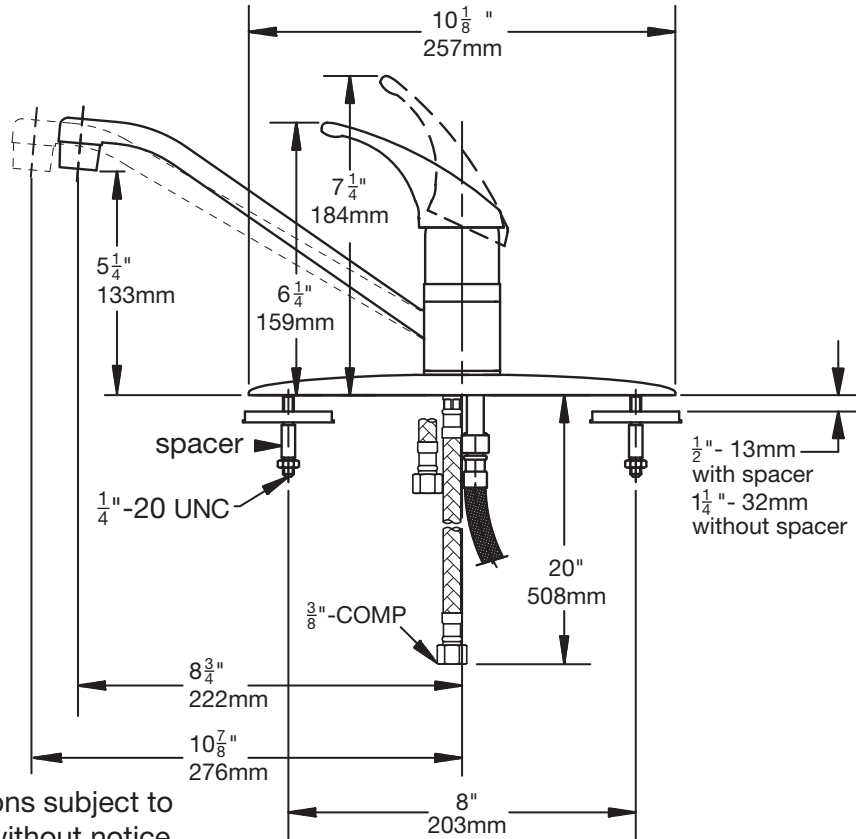
Note: Dimensions subject to change without notice.

Dimensions *Symmetrix Kitchen Faucet, S-23-BH-SM*



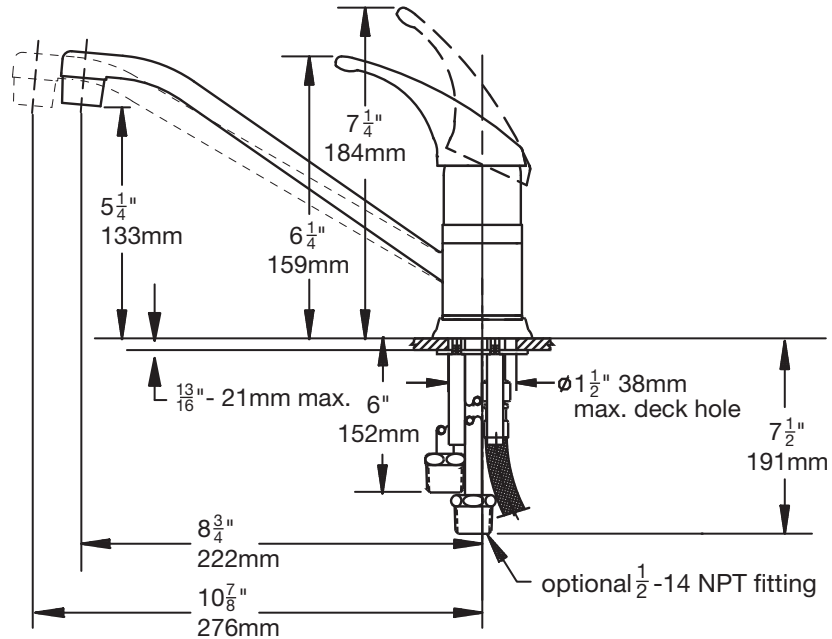
Note: Dimensions subject to change without notice.

Dimensions *Symmetrix Kitchen Faucet, S-23-BH*



Note: Dimensions subject to change without notice.

Dimensions *Symmetrix Kitchen Faucet, S-23-SM*



Note: Dimensions subject to change without notice.