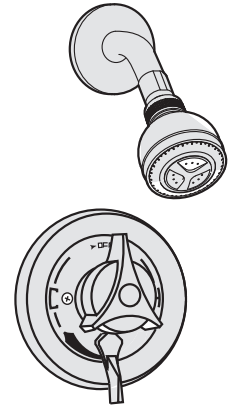


Location:

SYMMONS® Temptrol®

Shower System S-96-1

Specification Submittal



Feature Highlights

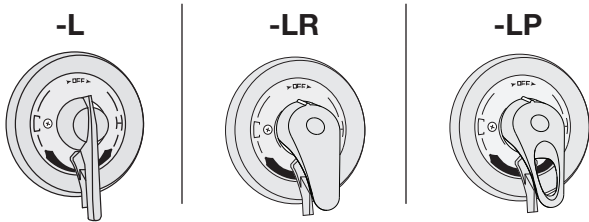
- Symmons shower system
- Symmons Temptrol® pressure balancing mixing valve with adjustable stop screw to limit handle turn.
- Secondday integral volume control handle
- Clear-flo Showerhead #4-228 single mode with adjustable flood or mist spray
- Showerhead mounting arm and flange
- Flow rate 2.5 gpm (9.5 L/min)
Optional lower flow rate restrictor available
- Polished chrome finish (standard)

Model Numbers

- S-96-1..... Shower System with Symmons Temptrol® pressure balancing mixing valve.
- S-96-1-TRM..... Trim only, valve must be ordered separately

Handle Options / Modifications

Append appropriate -suffix to model number.



- L Single blade style lever handle
- LR lever handle
- LP Loop style lever handle

Standards / Certifications

ASME A112.18.1-2005/CSA B125.1-05

Options / Modifications

Append appropriate -suffix to model number.

- 2.0 2.0 (7.6 L/min) flow rate restrictor
- 1.5 1.5 (5.7 L/min) flow rate restrictor
- VP Vandal resistant
- B Chrome plated brass escutcheon
- D Chrome plated brass dome cover
- X Integral Service Stops
Symmons Temptrol® pressure balancing mixing valve includes service stops to allow water shut-off for service,
- CHKS Integral Check Stops.
Temptrol valve includes check stops.
Note: Only available with integral service stop option (-X) *Used in installations where a positive shut-off device is used downstream of mixing valve.*
- IPS 1/2 inch female IPS connections on Symmons Temptrol® mixing valve
- REV Reverse core in valve for back-to-back installations. HOT on the right and COLD on the left

Finish Options / Modifications

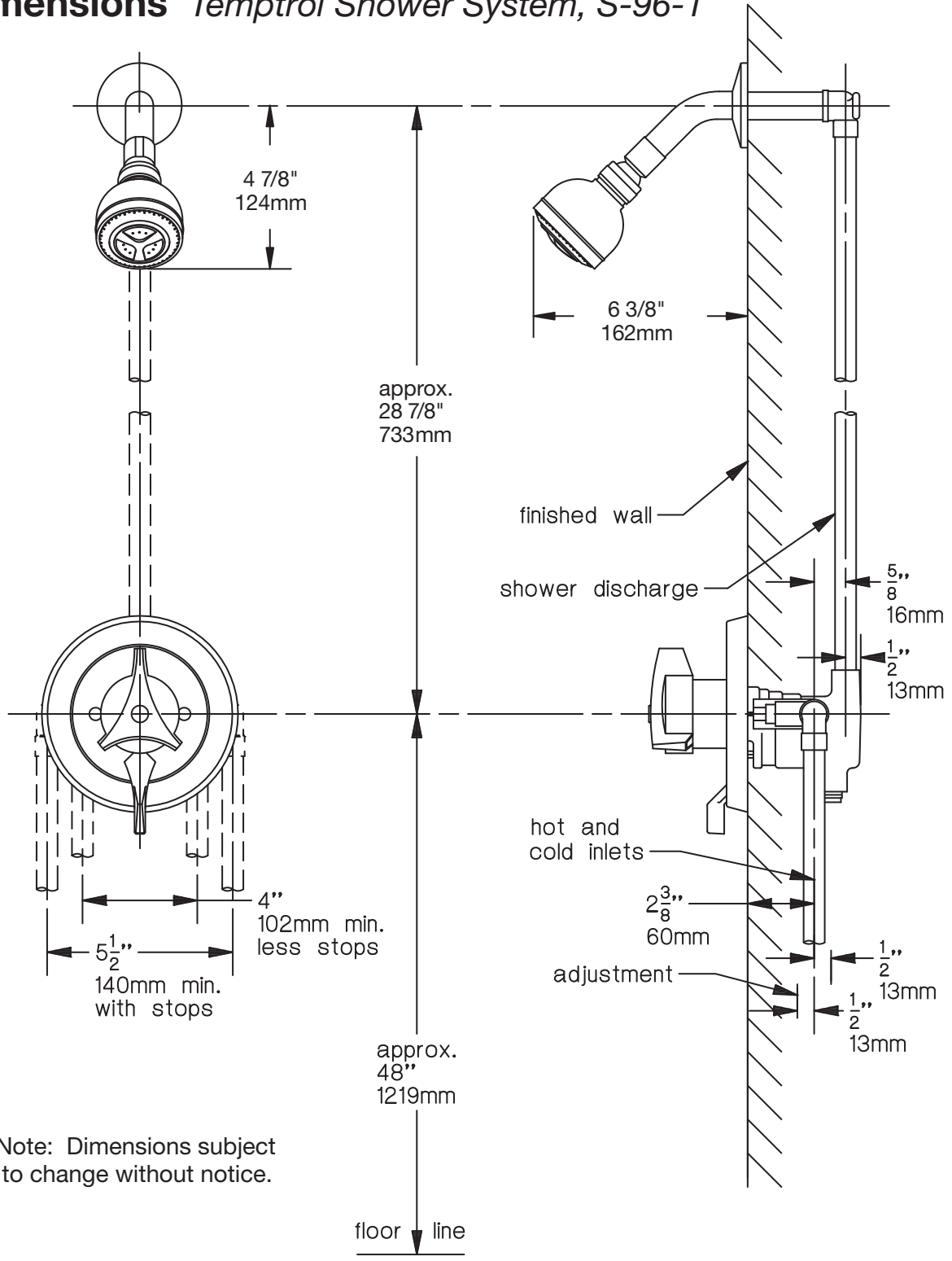
Append appropriate -suffix to model number.

- Polished chrome (standard finish)

Warranty

- Limited Lifetime - to the original end purchaser in consumer installations.
- 5 years - for commercial installations

Dimensions *Temptrol Shower System, S-96-1*



Symmons Industries, Inc. ■ 31 Brooks Drive ■ Braintree, MA 02184
 (800) 796-6667, (781) 848-2250 ■ Fax (800) 961-9621, (781) 664-1300
 Website: www.symmons.com ■ Email: customerservice@symmons.com

©2008 Symmons Industries, Inc. Printed in U.S.A. ■ 010810


SYMMONS[®]
 the smart choice™