

T&S BRASS AND BRONZE WORKS, INC.

2 SADDLEBACK COVE / P.O. BOX 1088 / TRAVELERS REST, SC 29690

PHONE 800-476-4103

FAX 864- 834-3518



REG.#A2601
ISO #9002

Model No.

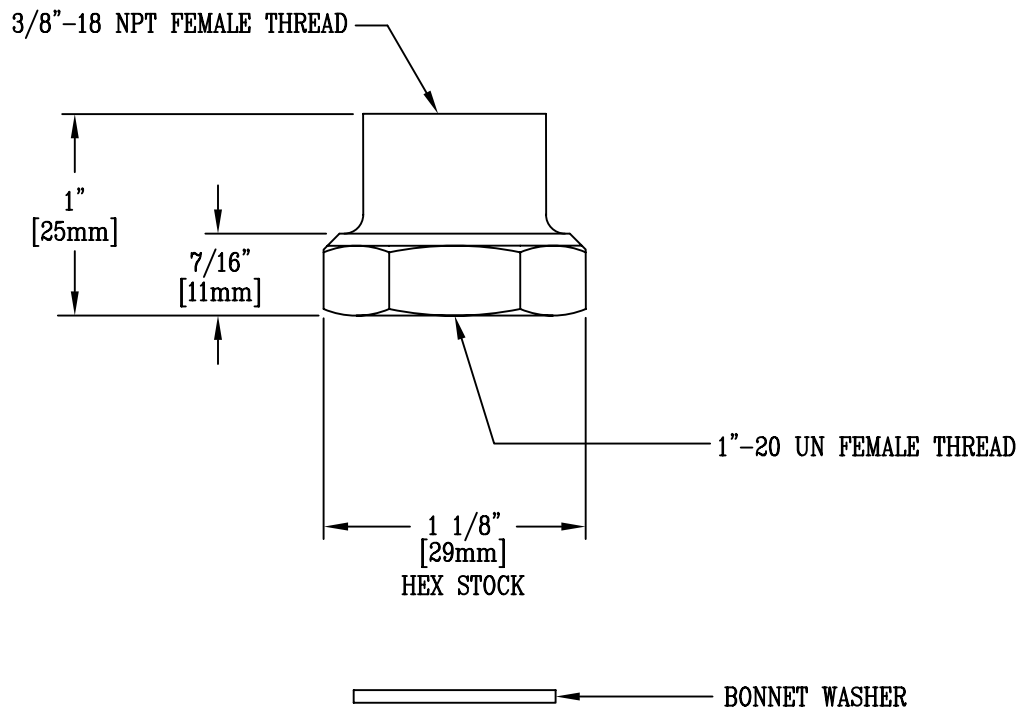
B-0413

Item No.:

Job Name:

Architect/Engineer Approval:

Notes:



Product Description:

1"-20 UN FEMALE THREAD x 3/8"-18 NPT MALE
THREAD SWIVEL TO RIGID ADAPTER PIECE w/
BONNET WASHER

Drawn:

KJG

Approved

JHB

Checked

DHL

Scale:

1' = 1'

Date:

11/11/08