



T&S BRASS AND BRONZE WORKS, INC.

2 Saddleback Cove / P.O. Box 1088
Travelers Rest, SC 29690



REG. #A2601
ISO #9001

Model No.

B-2250

Item No.

Travelers Rest, SC: 800-476-4103 Simi Valley, CA: 800-423-0150 Fax: 864-834-3518 www.tsbrass.com

This Space for Architect/Engineer Approval

Job Name _____ Date _____

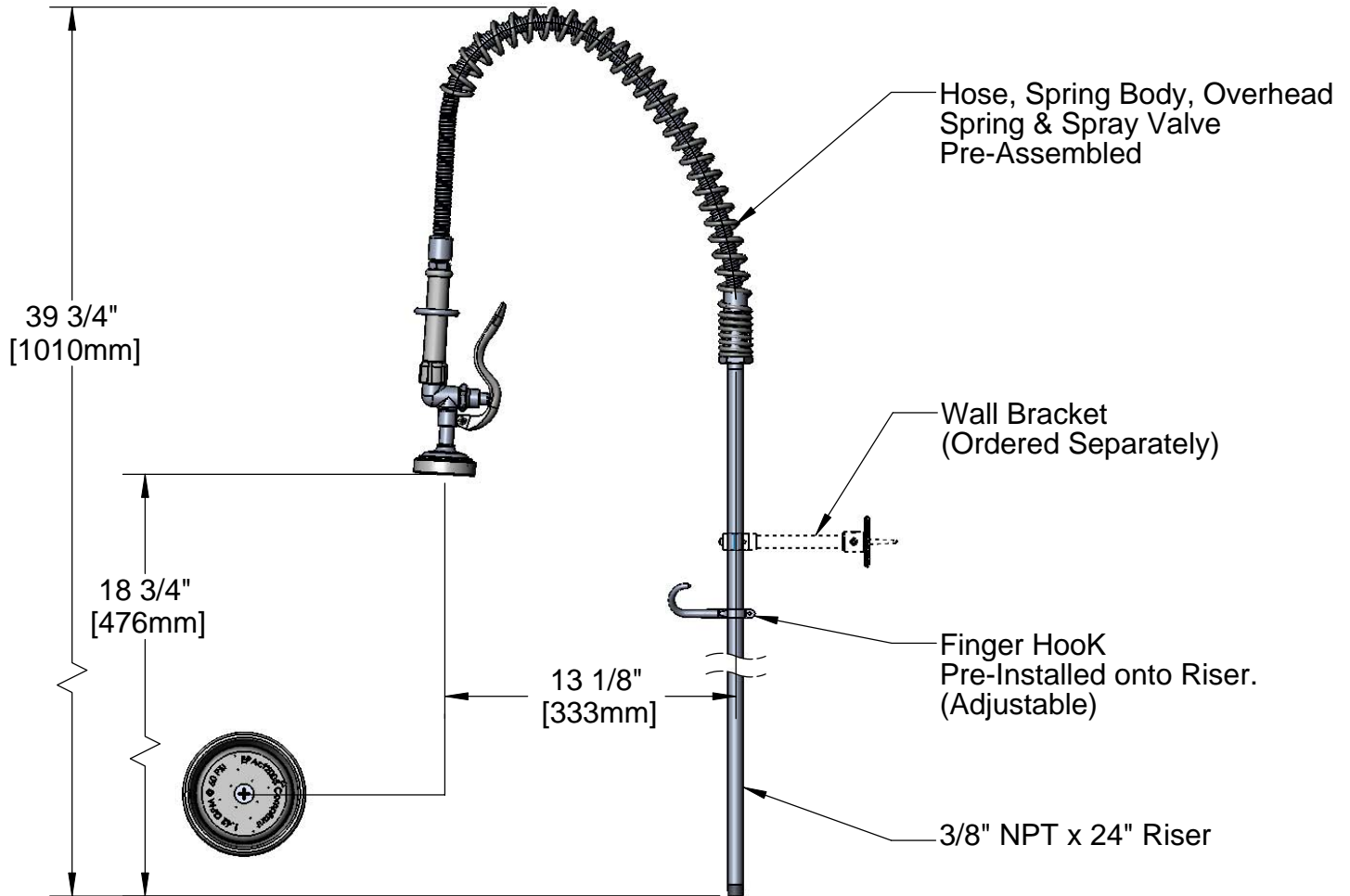
Model Specified _____ Quantity _____

Customer/Wholesaler _____

Contractor _____

Architect/Engineer _____

EPAct 2005 Compliant



Product Specifications:

Pre-Rinse Unit w/ 44" Flex Hose, B-0107 Spray Valve, 24" Riser & Overhead Spring,

Drawn KJG	Checked DHL	Approved JHB
Scale: 1:8		Date: 11/15/07



T&S BRASS AND BRONZE WORKS, INC.

2 Saddleback Cove / P.O. Box 1088
Travelers Rest, SC 29690



REG. #A2601
ISO #9001

Model No.
B-2250

Item No.

Travelers Rest, SC: 800-476-4103 Simi Valley, CA: 800-423-0150 Fax: 864-834-3518 www.tsbrass.com

ITEM NO.	SALES NO.	DESCRIPTION
1	B-0107	Spray Valve Asm
2	010476-45	#27 Washer
3	000907-45	Ring, Spray Valve Hold Down
4	002987-40	Grip Handle Assembly
5	010475-45	Washer B-100 Hose Barrel
6	B-0044-H2A	44: Flex Hose Assembly Less Handle
7	000888-45	Overhead Spring, EZ-Install
8	000821-25	Spring Body
9	000372-40	Riser, 3/8" NPT, 24" Length
10	004R	Finger Hook Asm



Product Specifications:

Pre-Rinse Unit w/ 44" Flex Hose, B-0107 Spray Valve,
24" Riser & Overhead Spring,

Drawn KJG	Checked DHL	Approved JHB
Scale: NTS		Date: 11/15/07