

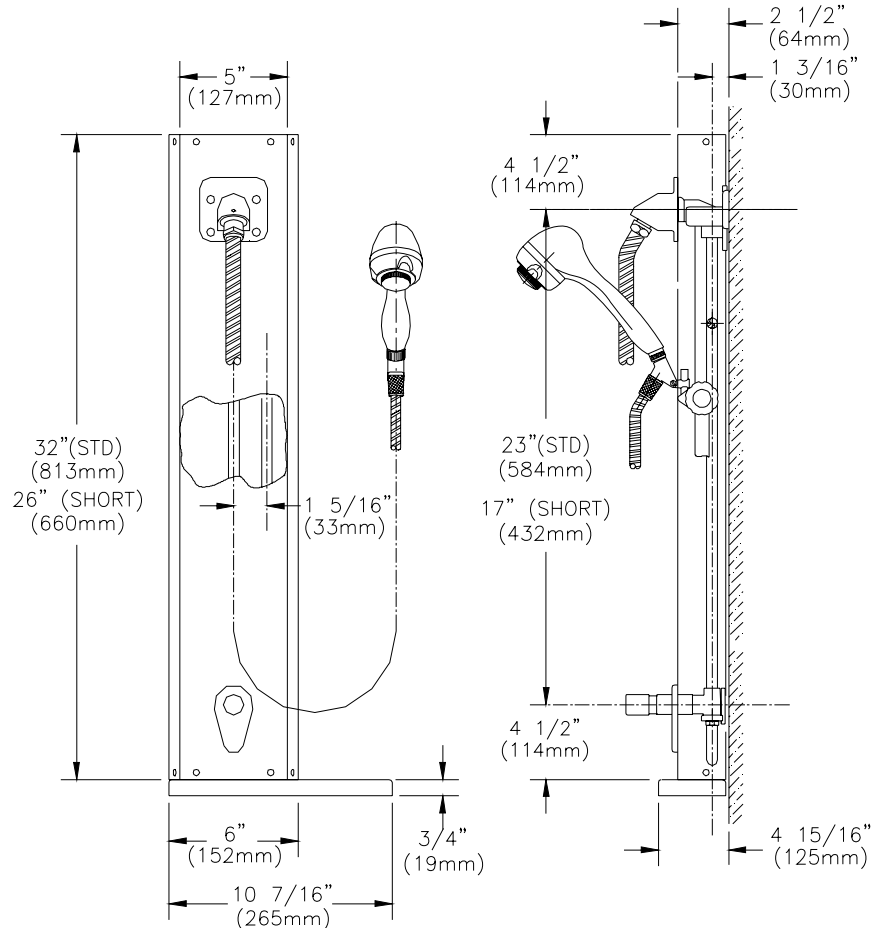


METERING AQUA PANEL SHOWER UNIT

Z7530-HW

TAG _____

ENGINEERING SPECIFICATIONS: ZURN Z7530-HW Prefabricated stainless steel shower unit, designed for tempered water systems, single push button on-off control valve with service stop, and adjustable metering feature. Unit includes handwall shower unit complete with 24" mounting bar unit, 60" metal hose and chrome plated, 2.5 GPM hand shower with adjustable spray. Aqua-panel unit standard with 1/2" copper tubing assembly enclosed by 18 gage stainless steel #4 brushed finish shroud, side mount soap dish & all vandal proof securing screws.



OPTIONS (Check/specify appropriate options)

- TC Matching Shroud Extension to Cover thru Ceiling Piping (Specify extension height)
- TH Matching Shroud Cover for Concealed Horizontal Piping (Application drawings available for custom installations)
- LS Less Soap Dish
- 14 14 Gage Stainless Steel Shroud
- 16 16 Gage Stainless Steel Shroud
- SL Short Length Shroud 26" (660mm)
- H7 2.0 GPM Hand Shower
- H9 1.5 GPM Hand Shower

APPROVALS

Tested to meet the following standards for valves and plumbing fittings:
ANSI A112.18.1M.

ZURN INDUSTRIES, LLC ♦ COMMERCIAL BRASS OPERATION ♦ 2640 SOUTH WORK STREET ♦ FALCONER NY 14733

Phone: 1-800-997-3876 ♦ Fax: 1-919-775-3541 ♦ www.zurn.com

In Canada: ZURN INDUSTRIES LIMITED ♦ 3544 Nashua Drive ♦ Mississauga, Ontario L4V1L2 ♦ Phone: 905/405-8272 Fax: 905/405-1292