



SINGLE FOOT PEDAL VALVE

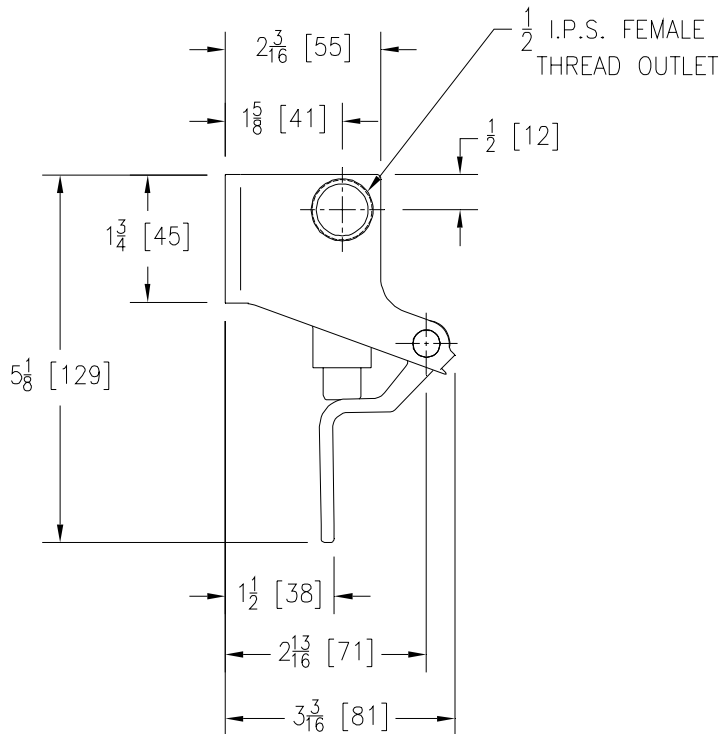
Z85100

TAG _____

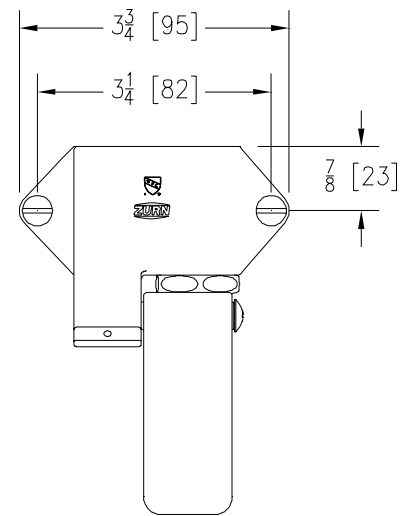


Engineering Specifications: Zurn AquaSpec® Z85100

Polished chrome-plated brass floor-mounted, self closing, single pedal valve. One 1/2" female back inlet and one 1/2" female side outlet.



SIDE VIEW



TOP VIEW

Note: All dimensions are for reference only. Do not use for pre-plumbing

OPTIONAL ACCESSORIES

No options required.



ZURN INDUSTRIES, LLC ♦ COMMERCIAL BRASS OPERATION ♦ 2640 SOUTH WORK STREET ♦ FALCONER NY 14733

Phone: 1-716-665-1132 ♦ Fax: 1-716-665-1135 ♦ World Wide Web: www.zurn.com

In Canada: ZURN INDUSTRIES LIMITED ♦ 3544 Nashua Drive ♦ Mississauga, Ontario L4V1L2 ♦ Phone: 905/405-8272 Fax: 905/405-1292